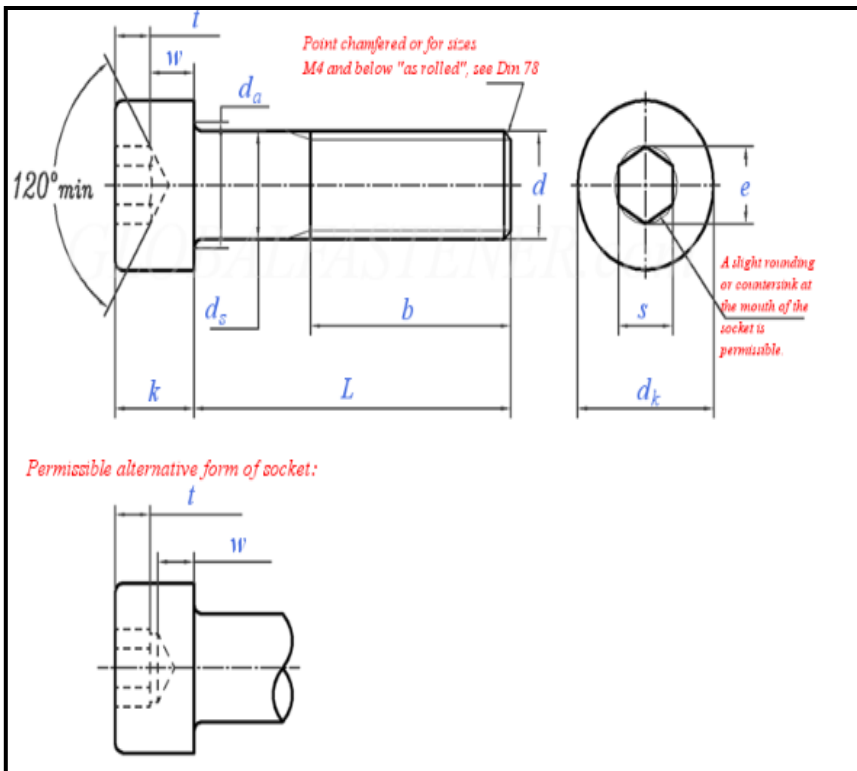




## HEXAGON SOCKET HEAD CAP SCREWS COMPLIANT TO ISO 4762



Screw Thread d	M5	M6	M8	M10	M12	M14	M16	M20	M24	
P	Pitch	0.8	1.00	1.25	1.50	1.75	2.0	2.0	2.5	3.0
d <sub>k</sub>	Plain Head Max.	8.5	10.0	13.0	16.0	18.0	21.0	24.0	30.0	36.0
	Knurled Head Max.	8.72	10.22	13.27	16.27	18.27	21.33	24.33	30.33	36.39
d <sub>a</sub>	Min.	8.28	9.78	12.73	15.73	17.73	20.67	23.67	29.67	35.61
	Max.	5.7	6.8	9.2	11.2	13.7	15.7	17.7	22.4	26.4
d <sub>s</sub>	Max.	5.0	6.0	8.0	10.0	12.0	14.0	16.0	20.0	24.0
	Min.	4.82	5.82	7.78	9.78	11.73	13.73	15.73	19.67	23.67
k	Max.	5.0	6.0	8.0	10.0	12.0	14.0	16.0	20.0	24.0
	Min.	4.82	5.7	7.64	9.64	11.57	13.57	15.57	19.48	23.48
e	Min.	4.583	5.723	6.863	9.149	11.429	13.716	15.996	19.437	21.734
t	Min.	2.5	3.0	4.0	5.0	6.0	7.0	8.0	10.0	12.0
w	Min.	1.9	2.3	3.0	4.0	4.8	5.8	6.8	8.6	10.4
s	Max.	4.095	5.14	6.14	8.175	10.175	12.212	14.212	17.23	19.275
	Min.	4.02	5.02	6.02	8.025	10.025	12.032	14.032	17.05	19.065