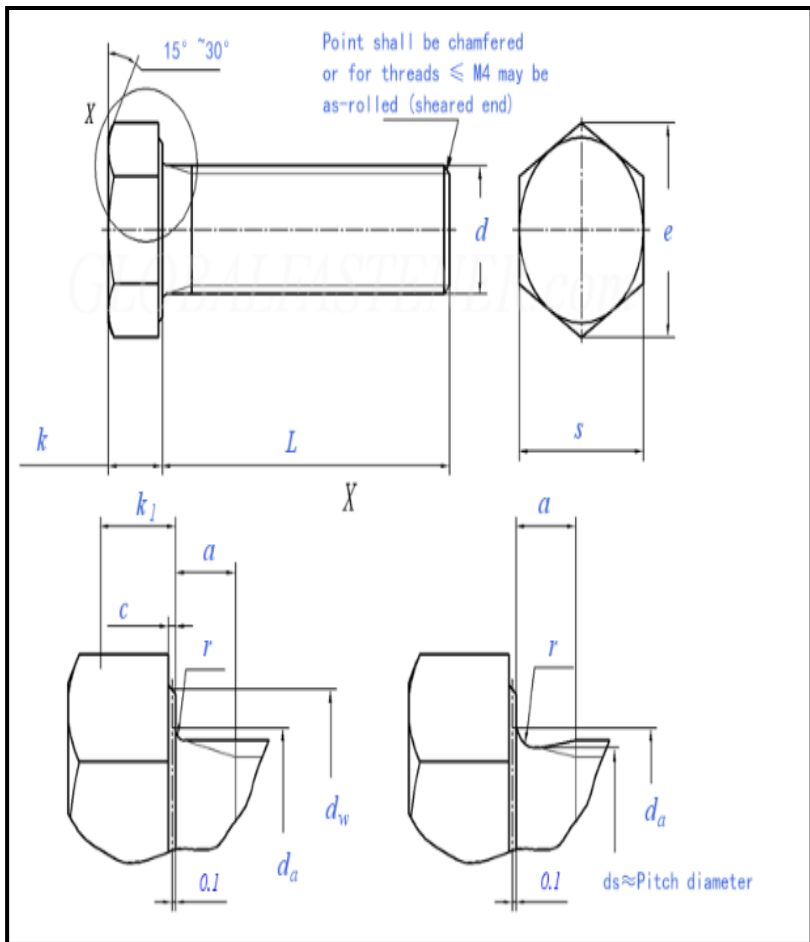




## HEXAGON HEAD SCREWS COMPLIANT TO ISO 4017



Screw Thread		M5	M6	M8	M10	M12	M14	M16	M18	M20	M24
P	Pitch	0.8	1.00	1.25	1.50	1.75	2.0	2.0	2.5	2.5	3.0
a	Max.	2.4	3.0	4.0	4.5	5.3	6.0	6.0	7.5	7.5	9.0
	Min.	0.8	1.0	1.25	1.5	1.75	2.0	2.0	2.5	2.5	3.0
c	Max.	0.5	0.5	0.6	0.6	0.6	0.6	0.8	0.8	0.8	0.8
	Min.	0.15	0.15	0.15	0.15	0.15	0.15	0.2	0.2	0.2	0.2
$d_a$	Max.	5.7	6.8	9.2	11.2	13.7	15.7	17.7	20.2	22.4	26.4
$d_w$	Min.	6.88	8.88	11.63	14.63	16.63	19.64	22.49	25.34	28.19	33.61
e	Min.	8.79	11.05	14.38	17.77	20.03	23.36	26.75	30.14	33.53	39.98
k	Max.	3.65	4.15	5.45	6.58	7.68	8.98	10.18	11.72	12.72	15.22
	Min.	3.35	3.85	5.15	6.22	7.32	8.62	9.82	11.28	12.28	14.78
$k_1$	Min.	2.35	2.7	3.61	4.35	5.12	6.03	6.87	7.9	8.6	10.35
r	Min.	0.2	0.25	0.4	0.4	0.6	0.6	0.6	0.6	0.8	0.8
s	Max.	8.0	10.0	13.0	16.0	18.0	21.0	24.0	27.0	30.0	36.0
	Min.	7.78	9.78	12.73	15.73	17.73	20.67	23.67	26.67	29.67	35.38

EXTRACT FROM ISO 4017 — 2014 HEXAGON BOLTS

FORMAT TO SYSTEM 25/06/2014 AMMENDMENTS

NUFAST PART NUMBER

ISO 4017