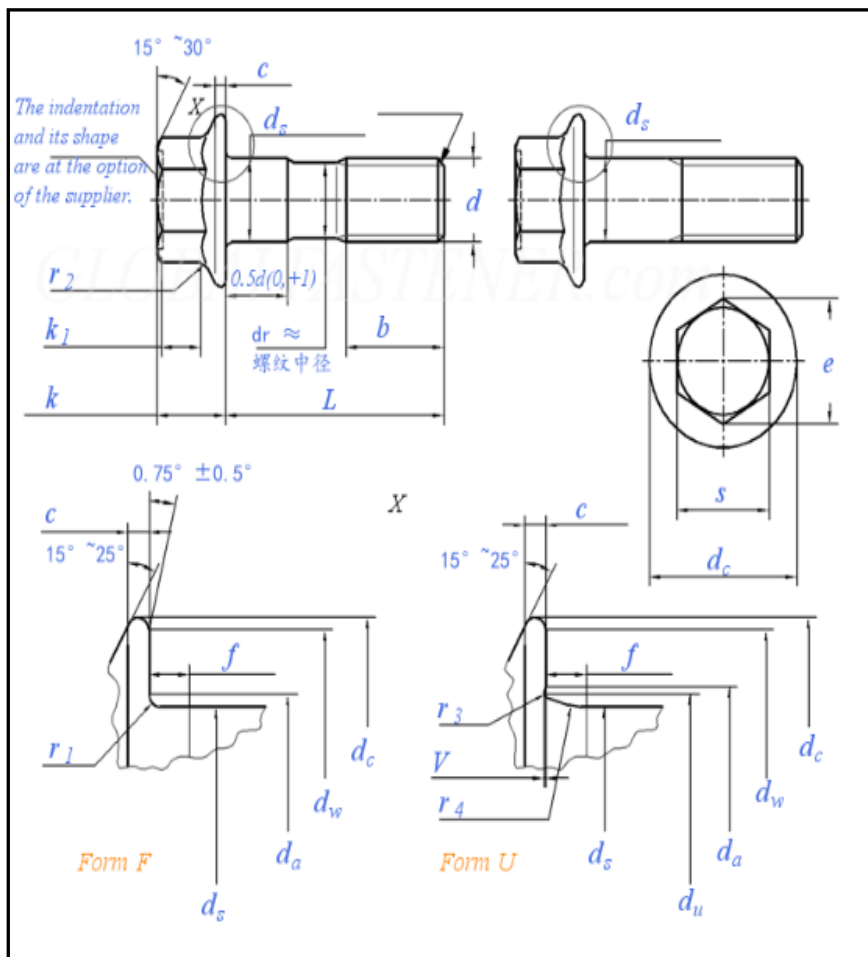




HEXAGON FLANGE BOLTS—SMALL SERIES COMPLIANT TO EN 1662



Screw Thread		M5	M6	M8	M10	M12	M14	M16
d								
P	Pitch	0.8	1.00	1.25	1.50	1.75	2.00	2.00
b	$L \leq 125$	16	18	22	26	30	34	38
	$125 < L \leq 200$	/	/	28	32	36	40	44
	$L > 200$	/	/	/	/	/	/	57
dc	Max.	11.4	13.6	17.0	20.8	24.7	28.6	32.8
ds	Max.	5.0	6.0	8.0	10.0	12.0	14.0	16.0
	Min.	4.82	5.82	7.78	9.78	11.73	13.73	15.73
e	Min.	7.59	8.71	10.95	14.26	16.5	19.86	23.15
k	Max.	5.6	6.9	8.5	9.7	12.1	12.9	15.2
s	Max = nominal	7.0	8.0	10.0	13.0	15.0	18.0	21.0
	Min.	6.78	7.78	9.78	12.73	14.73	17.73	20.67
c	Min.	1.0	1.1	1.2	1.5	1.8	2.1	2.4
da	Type F Max.	5.7	6.8	9.2	11.2	13.7	15.7	17.7
	Type U Max.	6.2	7.5	10.0	12.5	15.2	17.7	20.5
du	Max.	5.5	6.6	8.8	10.8	12.8	14.8	17.2
dw	Min.	9.4	11.6	14.9	18.7	22.5	26.4	30.6
k_1	Min.	2.3	2.9	3.8	4.3	5.4	5.6	6.8
f	Max.	1.44	1.6	2.1	2.1	2.1	2.1	3.2
r_1	Min.	0.2	0.25	0.4	0.4	0.6	0.6	0.6
r_2	Max.	0.3	0.4	0.5	0.6	0.7	0.9	1.0
r_3	Max.	0.25	0.26	0.36	0.45	0.54	0.63	0.72
	Min.	0.1	0.11	0.16	0.2	0.24	0.28	0.32
r_4	Ref.	4.0	4.4	5.7	5.7	5.7	5.7	8.7
V	Max.	0.15	0.2	0.25	0.3	0.35	0.45	0.5
	Min.	0.05	0.05	0.1	0.15	0.15	0.2	0.25

EXTRACT FROM EN 1662—1998 HEXAGON BOLTS WITH FLANGE SMALL SERIES

FORMAT TO SYSTEM 25/06/2014 AMMENDMENTS

NUFAST PART NUMBER **EN 1662**