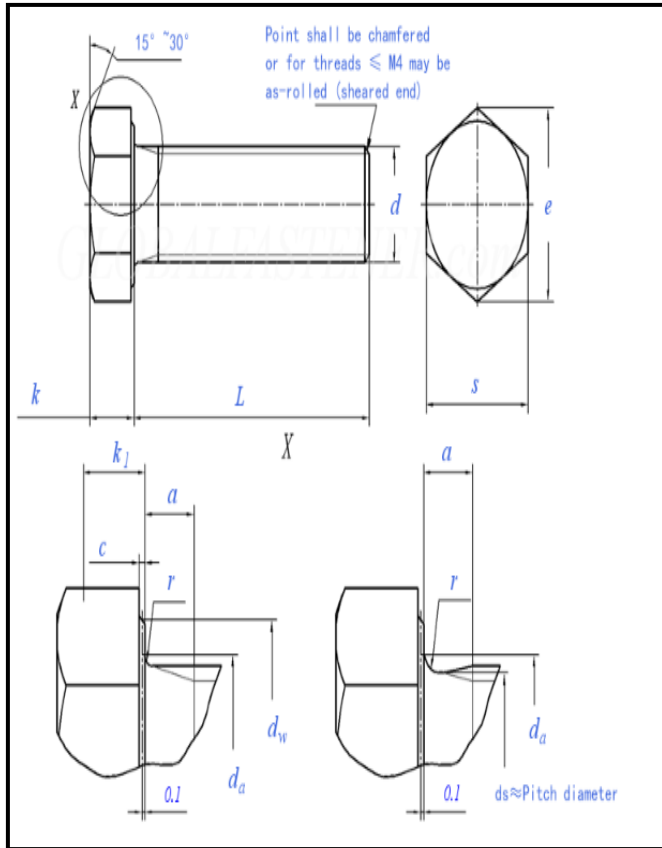




HEXAGON HEAD SCREWS COMPLIANT TO DIN 933



Screw Thread d		M5	M6	M8	M10	M12	M14	M16	M18	M20	M24
P	Pitch	0.8	1.00	1.25	1.50	1.75	2.0	2.0	2.5	2.5	3.0
a	Max.	2.4	3.0	3.75	4.5	5.25	6.0	6.0	7.5	7.5	9.0
c	Max.	0.5	0.5	0.6	0.6	0.6	0.6	0.8	0.8	0.8	0.8
	Min.	0.15	0.15	0.15	0.15	0.15	0.15	0.2	0.2	0.2	0.2
d_a	Max.	5.7	6.8	9.2	11.2	13.7	15.	17.7	20.2	22.4	26.4
d_w	Min.	6.9	8.9	11.6	15.6	17.4	20.5	22.5	25.3	28.2	33.6
e	Min.	8.79	11.05	14.38	18.9	21.1	24.49	26.75	30.14	33.53	39.98
k	Max.	3.65	4.15	5.45	6.56	7.68	8.98	10.18	11.72	12.72	15.22
	Min.	3.35	3.85	5.15	6.22	7.32	8.62	9.82	11.28	12.28	14.78
k_1	Min.	2.28	2.63	3.54	4.28	5.05	5.96	6.8	7.8	8.5	10.3
r	Min.	0.2	0.25	0.4	0.4	0.6	0.6	0.6	0.6	0.8	0.8
s	Max.	8.0	10.0	13.0	17.0	19.0	22.0	24.0	27.0	30.0	36.0
	Min.	7.78	9.78	12.73	16.73	18.67	21.67	23.67	26.67	29.67	35.38

EXTRACT FROM DIN 933 —1987 HEXAGON BOLTS		
FORMAT TO SYSTEM	25/06/2014	AMMENDMENTS

NUFAST PART NUMBER	DIN 933
--------------------	---------