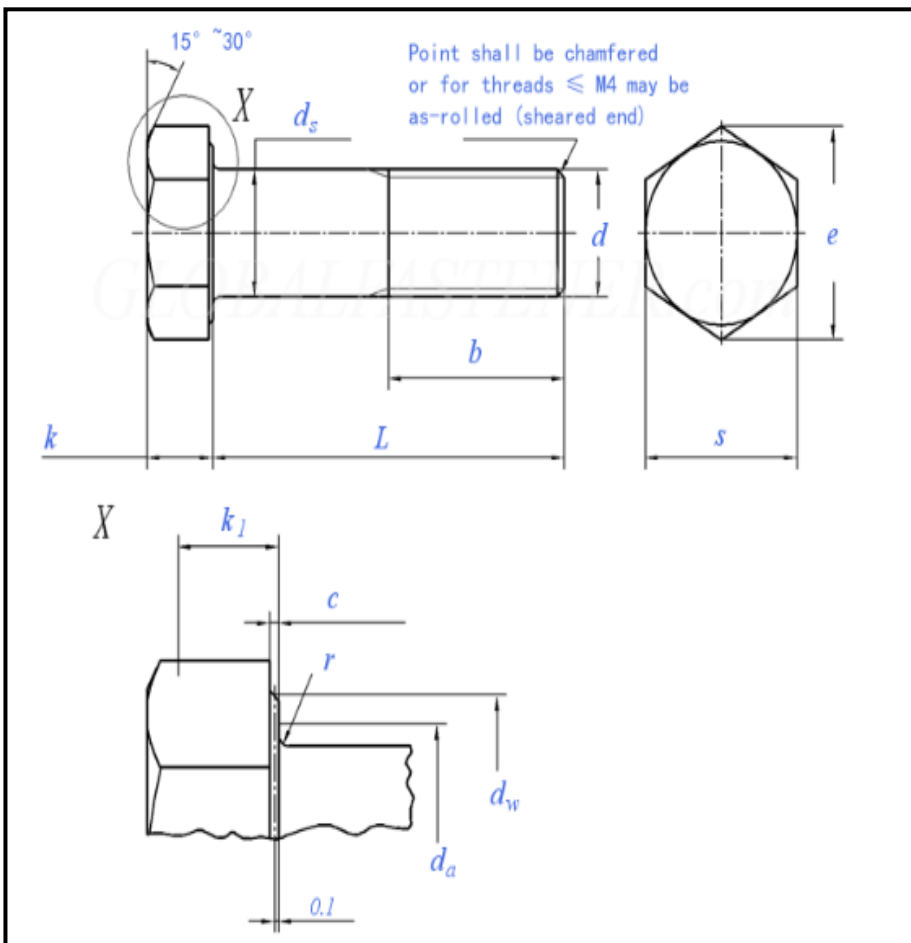




## HEXAGON HEAD BOLTS COMPLIANT TO DIN 931



| Screw Thread |                    | M5   | M6    | M8    | M10   | M12   | M14   | M16   | M18   | M20   | M24   |
|--------------|--------------------|------|-------|-------|-------|-------|-------|-------|-------|-------|-------|
| P            | Pitch              | 0.8  | 1.00  | 1.25  | 1.50  | 1.75  | 2.0   | 2.0   | 2.5   | 2.5   | 3.0   |
| b            | $L \leq 125$       | 16   | 18    | 22    | 26    | 30    | 34    | 38    | 42    | 46    | 54    |
|              | $125 < L \leq 200$ | 22   | 24    | 28    | 32    | 36    | 40    | 44    | 48    | 52    | 60    |
|              | $L > 200$          | /    | /     | /     | 45    | 49    | 53    | 57    | 61    | 65    | 73    |
| c            | Max.               | 0.5  | 0.5   | 0.6   | 0.6   | 0.6   | 0.6   | 0.8   | 0.8   | 0.8   | 0.8   |
|              | Min.               | 0.15 | 0.15  | 0.15  | 0.15  | 0.15  | 0.15  | 0.2   | 0.2   | 0.2   | 0.2   |
| $d_a$        | Max.               | 5.7  | 6.8   | 9.2   | 11.2  | 13.7  | 15.7  | 17.7  | 20.2  | 22.4  | 26.4  |
| $d_s$        | Max = nominal      | 5.0  | 6.0   | 8.0   | 10.   | 12.0  | 14.0  | 16.0  | 18.0  | 20.0  | 24.0  |
|              | Min.               | 4.82 | 5.82  | 7.78  | 9.78  | 11.73 | 13.73 | 15.73 | 17.73 | 19.67 | 23.67 |
| $d_w$        | Min.               | 6.9  | 8.9   | 11.6  | 15.6  | 17.4  | 20.5  | 22.5  | 25.3  | 28.2  | 33.6  |
| e            | Min.               | 8.79 | 11.05 | 14.38 | 18.9  | 21.1  | 24.49 | 26.75 | 30.14 | 33.53 | 39.98 |
| k            | Max.               | 3.65 | 4.15  | 5.45  | 6.58  | 7.68  | 8.98  | 10.18 | 11.72 | 12.72 | 15.21 |
|              | Min.               | 3.35 | 3.85  | 5.15  | 6.22  | 7.32  | 8.62  | 9.82  | 11.28 | 12.28 | 14.78 |
| $k_1$        | Min.               | 2.28 | 2.63  | 3.54  | 4.28  | 5.05  | 5.96  | 6.8   | 7.8   | 8.5   | 10.3  |
| r            | Min.               | 0.2  | 0.25  | 0.4   | 0.4   | 0.6   | 0.6   | 0.6   | 0.6   | 0.8   | 0.8   |
| s            | Max.               | 8.0  | 10.0  | 13.0  | 17.0  | 19.0  | 21.0  | 24.0  | 27.0  | 30.0  | 36.0  |
|              | Min.               | 7.78 | 9.78  | 12.73 | 16.73 | 18.67 | 20.67 | 23.67 | 26.67 | 29.67 | 35.38 |

EXTRACT FROM DIN 931 — 1987 HEXAGON BOLTS

FORMAT TO SYSTEM 25/06/2014 AMMENDMENTS

NUFAST PART NUMBER

DIN 931