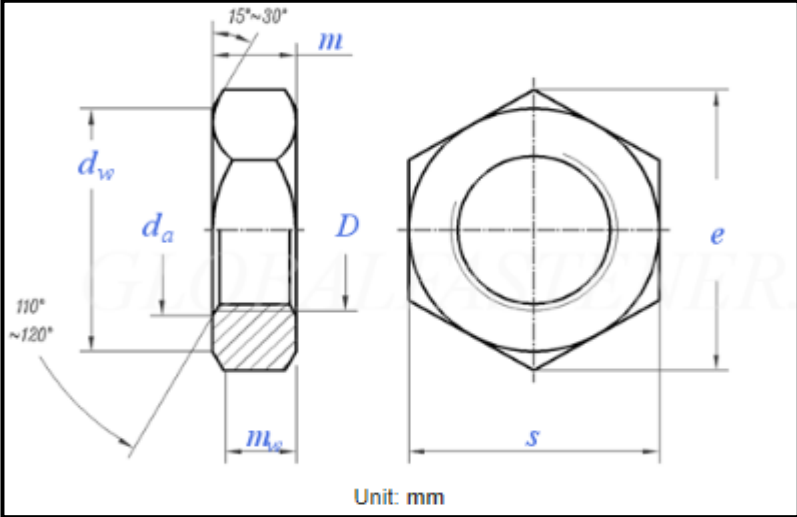




nufast Ltd. PRODUCTION DRAWING

HEXAGON THIN NUTS COMPLIANT TO DIN 439



SIZE d	PITCH	s		e	m		m _w	dw	da	
		Min.	Max.	Min.	Min.	Max.	Min.	Min.	Min.	Max.
M5	0.8	7.78	8.00	8.79	2.45	2.70	1.96	6.90	5.00	5.75
M6	1.00	9.78	10.00	11.05	2.90	3.20	2.32	8.90	6.00	6.75
M8	1.25	12.73	13.00	14.38	3.70	4.00	2.96	11.60	8.00	8.75
M10	1.50	16.73	17.00	18.90	4.70	5.00	3.76	15.60	10.00	10.80
M12	1.75	18.67	19.00	21.10	5.70	6.00	4.56	17.40	12.00	13.00
M14	2.00	21.67	22.00	24.49	6.42	7.00	5.14	20.50	14.00	15.10
M16	2.00	23.67	24.00	26.75	7.42	8.00	5.94	22.50	16.00	17.30
M20	2.5	29.16	30.00	32.95	9.10	10.00	7.28	27.70	20.00	21.60

PROOF LOAD - TEST REQUIREMENTS
ISO 898 / 2: 1992

SCREW A HARDENED MANDREL INTO THE TEST WELDNUT ENSURING THAT A MINIMUM THREE FULL THREADS ARE PROJECTING OUT OF THE NUT. LOAD AS ABOVE TO BE APPLIED FOR 15 SECONDS. THE LOAD STATED IS A MINIMUM LOAD AND MUST BE ACHIEVED. AFTER A SUCCESSFUL TEST THE MANDREL MUST BE CAPABLE OF REMOVAL BY FINGER TURN, AN INITIAL HALF TURN BY WRENCH IF REQUIRED IS PERMISSIBLE.

EXTRACT FROM DIN 439—1987			
FORMAT TO SYSTEM	25/06/2014	AMMENDMENTS	
NUFAST PART NUMBER			DIN 439