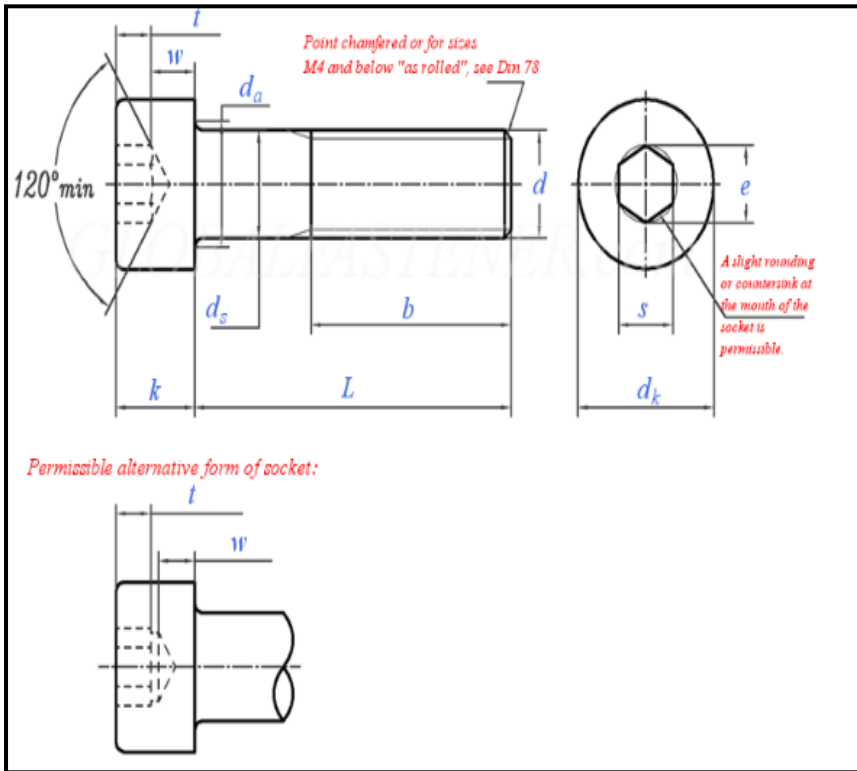




## HEXAGON SOCKET HEAD CAP SCREWS COMPLIANT TO DIN 912



Screw Thread		M5	M6	M8	M10	M12	M14	M16	M18	M20	M24
P	Pitch	0.8	1.00	1.25	1.50	1.75	2.0	2.0	2.5	2.5	3.0
$d_k$	Plain Head Max.	8.5	10.0	13.0	16.0	18.0	21.0	24.0	27.0	30.0	36.0
	Knurled Head Max.	8.72	10.22	13.27	16.27	18.27	21.33	24.33	27.33	30.33	36.39
	Min.	8.28	9.78	12.73	15.73	17.73	20.67	23.67	26.67	29.67	35.61
$d_a$	Max.	5.7	6.8	9.2	11.2	13.7	15.7	17.7	20.2	22.4	26.4
$d_s$	Max.	5.0	6.0	8.0	10.0	12.0	14.0	16.0	18.0	20.0	24.0
	Min.	4.82	5.82	7.78	9.78	11.73	13.73	15.73	17.73	19.67	23.67
k	Max.	5.0	6.0	8.0	10.0	12.0	14.0	16.0	18.0	20.0	24.0
	Min.	4.82	5.7	7.64	9.64	11.57	13.57	15.57	17.57	19.48	23.48
e	Min.	4.58	5.82	7.78	9.78	11.73	13.73	15.73	17.73	19.67	21.73
t	Min.	2.5	3.0	4.0	5.0	6.0	7.0	8.0	9.0	10.0	12.0
w	Min.	1.9	2.3	3.0	4.0	4.8	5.8	6.8	7.8	8.6	10.4
s	Max.	4.095	5.14	6.14	8.175	10.175	12.212	14.212	14.212	17.23	19.275
	Min.	4.02	5.02	6.02	8.025	10.025	12.032	14.032	14.032	17.05	19.065