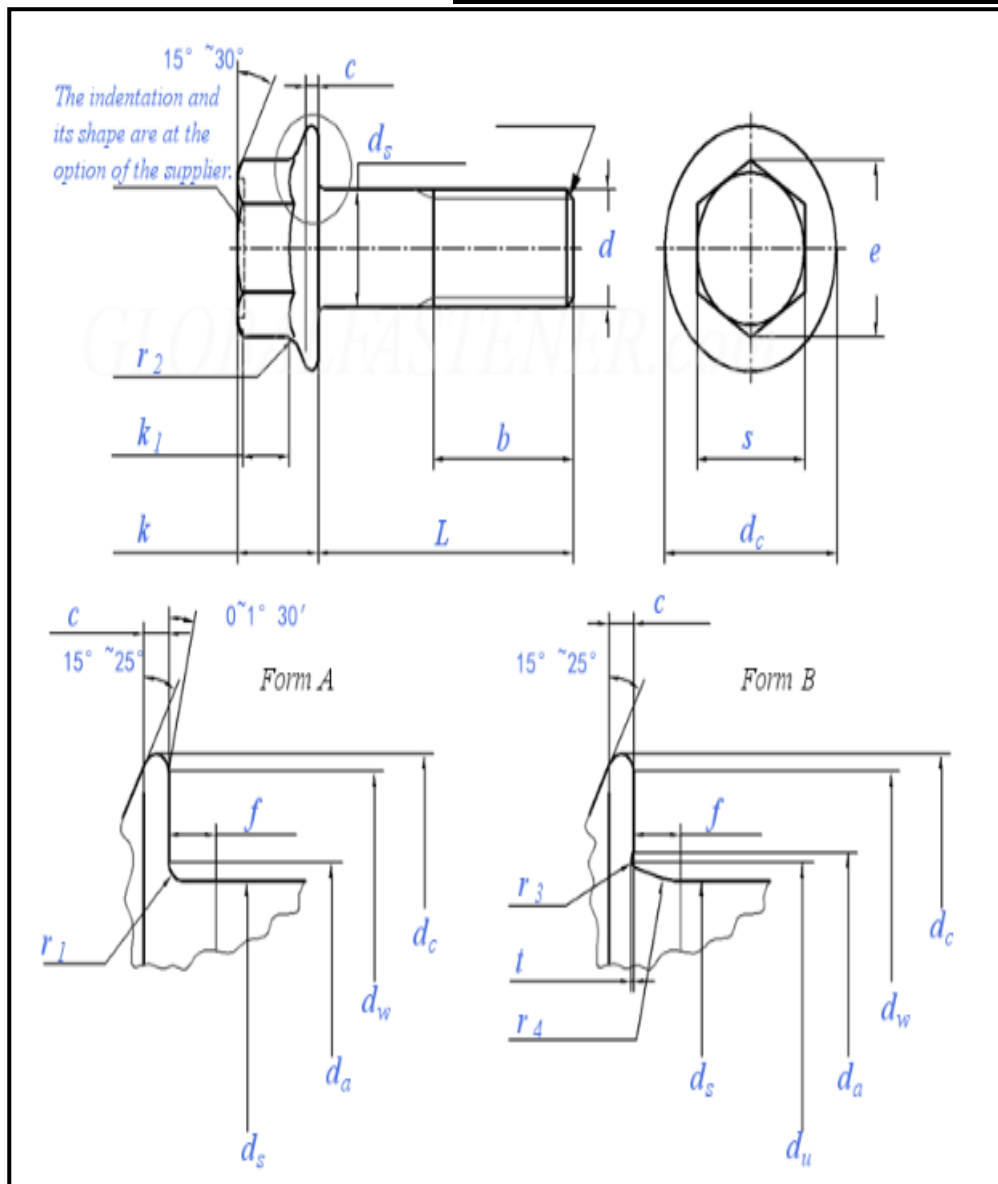




## HEXAGON FLANGE BOLTS COMPLIANT TO DIN 6921



Screw Thread		M5	M6	M8	M10	M12	M14	M16	M20
d									
P	Pitch	0.8	1.00	1.25	1.50	1.75	2.00	2.00	2.50
b	L ≤ 125	16	18	22	26	30	34	38	46
	125 < L ≤ 200	/	/	28	32	36	40	44	52
	L > 200	/	/	/	/	/	/	57	65
c	Min.	1.0	1.1	1.2	1.5	1.8	2.1	2.4	3.0
da	Form A Max.	5.7	6.8	9.2	11.2	13.7	15.7	17.7	22.4
	Form B Max.	6.2	7.4	10.0	12.6	15.2	17.7	20.7	25.7
dc	Max.	11.8	14.2	18.0	22.3	26.6	30.5	35.0	43.0
ds	Max.	5.0	6.0	8.0	10.0	12.0	14.0	16.0	20.0
	Min.	4.82	5.82	7.78	9.78	11.73	13.73	15.73	19.67
du	Max.	5.5	6.6	9.0	11.0	13.5	15.5	17.5	22.0
dw	Min.	9.8	12.2	15.8	19.6	23.8	27.6	31.9	39.9
e	Min.	8.81	10.95	14.26	16.5	17.62	19.86	23.15	29.87
f	Max.	1.4	2.0	2.0	2.0	3.0	3.0	3.0	4.0
k	Max.	5.4	6.6	8.1	9.2	11.5	12.8	14.4	17.1
k <sub>1</sub>	Min.	2.0	2.5	3.2	3.6	4.6	5.1	5.8	6.8
r <sub>1</sub>	Min.	0.25	0.4	0.4	0.4	0.6	0.6	0.6	0.8
r <sub>2</sub>	Max.	0.3	0.4	0.5	0.6	0.7	0.9	1.0	1.2
t	Max.	0.15	0.2	0.25	0.3	0.35	0.45	0.5	0.65
	Min.	0.05	0.05	0.1	0.15	0.15	0.2	0.25	0.3
r <sub>3</sub>	Min.	0.1	0.1	0.15	0.2	0.25	0.3	0.35	0.4
s	Max = nominal	8.0	10.0	13.0	15.0	16.0	18.0	21.0	27.0
	Min.	7.78	9.78	12.73	14.73	15.73	17.73	20.67	26.67

EXTRACT FROM DIN 6921—1983 HEXAGON BOLTS WITH FLANGE

FORMAT TO SYSTEM 25/06/2014 AMMENDMENTS

NUFAST PART NUMBER

**DIN 6921**