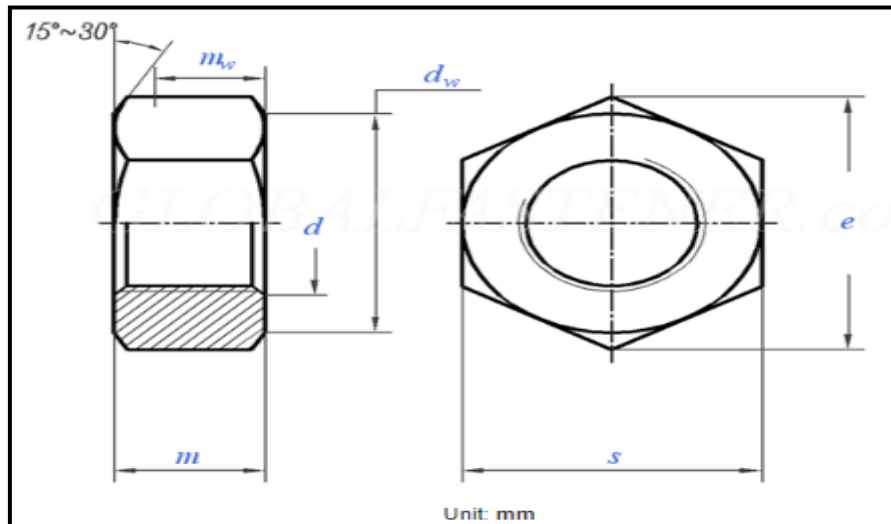




## HEXAGON NUTS COMPLIANT TO DIN 555



SIZE d	PITCH	s		e	m		m <sub>w</sub>	dw
		Min.	Max.	Min.	Min.	Max.	Min.	Min.
M5	0.8	7.64	8.00	8.63	3.40	4.60	2.70	6.70
M6	1.00	9.64	10.00	10.89	4.40	5.60	3.50	8.70
M8	1.25	12.57	13.00	14.20	5.75	7.25	4.60	11.50
M10	1.50	16.57	17.00	18.72	7.25	8.75	5.80	15.50
M12	1.75	18.48	19.00	20.88	9.25	10.75	7.40	17.20
M16	2.00	23.16	24.00	26.17	12.10	13.90	9.70	22.00
M20	2.5	29.16	30.00	32.95	15.10	16.90	12.10	27.70

**PROOF LOAD - TEST REQUIREMENTS**  
ISO 898 / 2: 1992

SCREW A HARDENED MANDREL INTO THE TEST WELDNUT ENSURING THAT A MINIMUM 3THREE FULL THREADS ARE PROJECTING OUT OF THE NUT. LOAD AS ABOVE TO BE APPLIED FOR 15 SECONDS. THE LOAD STATED IS A MINIMUM LOAD AND MUST BE ACHIEVED. AFTER A SUCCESSFUL TEST THE MANDREL MUST BE CAPABLE OF REMOVAL BY FINGER TURN, AN INITIAL HALF TURN BY WRENCH IF REQUIRED IS PERMISSBLE.

EXTRACT FROM DIN 555—1987

FORMAT TO SYSTEM | 25/06/2014 | AMMENDMENTS

**NUFAST PART NUMBER**

**DIN 555**